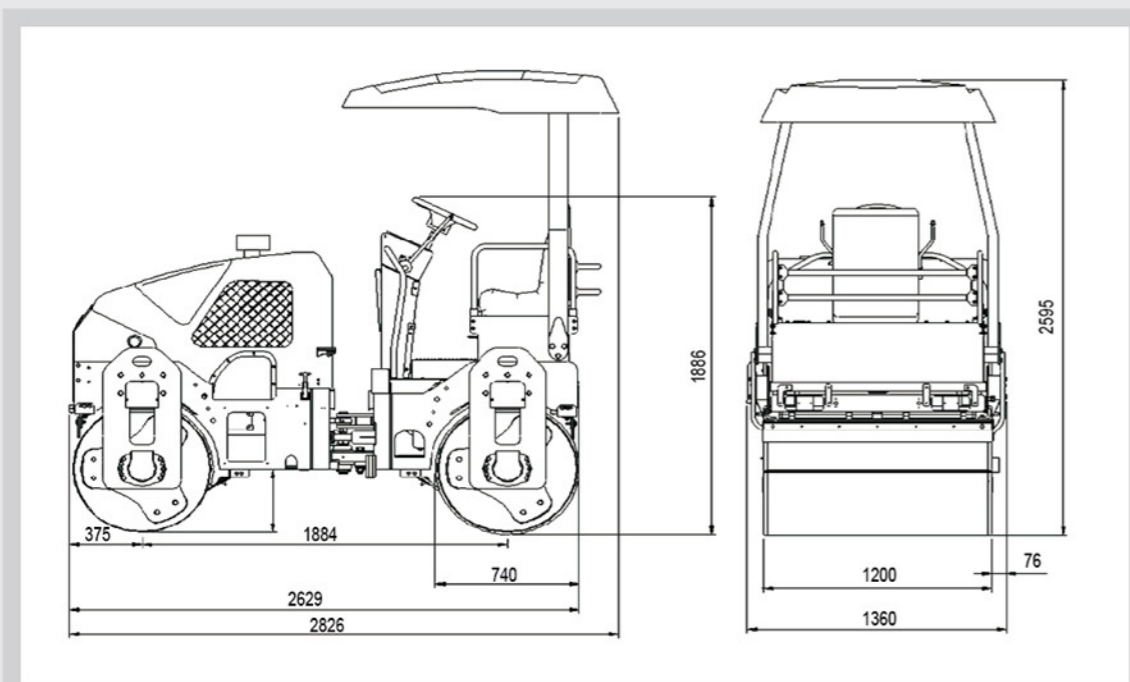




**ESCORTS**  
CONSTRUCTION EQUIPMENT

### Dimensions



Rated loads are calculated for operation on levelled surface

The information contained in this folder is intended to be of general nature only. We reserve the right to change specifications without notice. All dimensions and weight are variable within +/-5%.



**ESCORTS**  
CONSTRUCTION EQUIPMENT

**Escorts Construction Equipment:** Plot No.: 219, Sector-58, Ballabhgarh- 121 004, Distt.: Faridabad, Haryana (INDIA)  
**Tel.:** 0129-2306574, **Fax:** 0129- 2306572  
**Toll Free No.:** 1800- 180- 4488 (Timings: 9.30 am - 6.00 pm, Monday to Friday)  
**e-mail:** ece.marketing@escorts.co.in, **web.:** www.escortsgroup.com

Accessories as shown in the picture may not be the part of standard fitment and are subject to change without prior notice.

Hub/Dec 2018



**Mini Tandem  
Roller**  
**EC 3664**

**CompactoR**

• ROLL 'n ROCK •

## Specification

### Weight

Operating Weight (Kg)	3300
Axle Load - Front (Kg)	1700
Axle Load - Rear (Kg)	1600
Static Linear Load (Kg/cm) Front	14.2
Static Linear Load (Kg/cm) Rear	13.3

### Dimensions

Overall Width (mm)	1360
Overall Length (mm)	2826
Overall Height with canopy (mm)	2595
Turning Radius-outer/inner (mm)	4100/ 2942
Min. Ground Clearance (mm)	320

### Drum Dimension

Drum Diameter (mm)	740
Drum Width (mm)	1200
Shell Thickness (mm)	13

### Engine

Make and Model	Escorts E3.249NA
Power Rating as per ISO 3046	Water Cooled, 3 cylinder BS - III (CEV) Emission norm Diesel Engine developing 47 HP @ 2300 RPM
Drive	Infinitely variable hydrostatic all wheel drive to both drums

### Speed (Forward and reverse)

Working (Km/h)	0 - 4
Transport (Km/h)	0 - 12

### Gradeability

Gradeability with Vibration (%)	35%
Gradeability without Vibration (%)	40%

### Driver Seat

Adjustable and sliding type with a canopy at the top for protection

### Vibration System (Direct hydrostatic variable drive on both drums)

Frequency - Low / High (Hz)	55/64
Nominal Amplitude (mm)	0.6
Vibration	2 Stage - Front and Rear drums / Front drum, Auto vibration Cut-off above working speed
Max. Applied force on the front drum (kgf)	6500
Max. Applied force on rear drum (kgf)	6400
Total Compaction force (KN)	104/129

### Steering (Hydrostatic Power Steering)

Articulated Steering (degree)	+ -30°
Oscillation Angle (degree)	+ -10°
Crab Steering (mm)	+ - 48

### Tank Capacity

Fuel Tank Capacity	50 Ltrs
Hydraulic Oil Tank Capacity	40 Ltrs
Water Tank	200 Ltrs (Rear - 130 Ltrs/ Front - 70 Ltrs)

### Brakes

Service Brake	Hydrostatic
Parking Brake	Spring Loaded brakes, hydraulically released on both drums
Emergency Brake	Spring Loaded brakes, hydraulically released on both drums

### Water Sprinkling System

Gravity Water Sprinkling System/ Pressurized, Force Feed Foot Action (Manual), Interval (Automatic) 3 Stage Filtration System

### Drum Scraper

2 Scraper per Drum, Self Adjusting Type

### Safety Features

Neutral Start Switch, Emergency Stop Switch, Reverse Alarm, Air Filter Clog Indicator, Hydraulic Filter Clog Indicator, Low Engine Oil Pressure Indicator, Hydraulic Oil Temperature Gauge, Battery Charging Indicator, Starter Safety Relay, Coolant Temperature Gauge & Indicator, Volt Meter

### Standard Equipment

Canopy with Sun Top, Instrument Panel with a range of control instruments including Hour Meter & Light Equipment, Switchable to both/ single drum vibration, RPM Gauge, Sprinkler Indicator

### Optional Equipment

Cabin, Demister, Instrument Panel Cover, Cold Start Kit

### Key Features

Suited for shoulder compaction/ service roads

Highest Total Compaction Force in the industry

High ground clearance of 320 mm for working on uneven surfaces

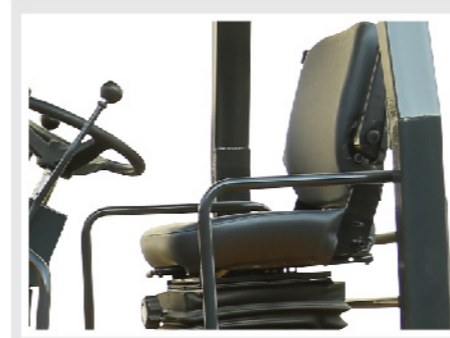
High kerb clearance of 590 mm for effective compaction along culverts

High static linear load in the industry

Low turning radius

Escorts product support of parts and service with 110 locations across the country

## Features



### Seating

Driver's Seat is adjustable and sliding with a canopy for operator's comfort and clear visibility

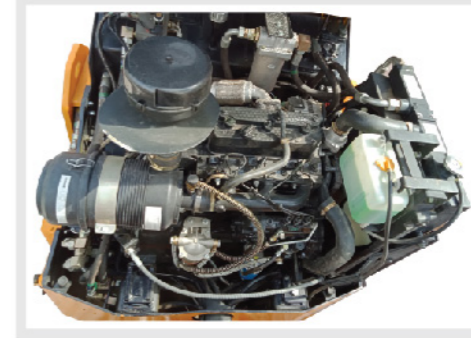


### Instrument Panel

Instrument Panel with conveniently placed switches and buttons for easy access & reach

### Optimum Amplitude

Optimized setting amplitude, frequency and optimum distribution of weight helps in achieving high compaction



### Engine

ESCORTS E3.249NA is high on power and traction. Low on fuel consumption and maintenance



### Steering Angle

Articulation Steering Angle is high for low turning radius

### Gradeability

High gradeability making it versatile for all applications



### Easy Operation

Compact machine for ease of usage & transportation



### Ground Clearance

High ground clearance for uneven ground operations